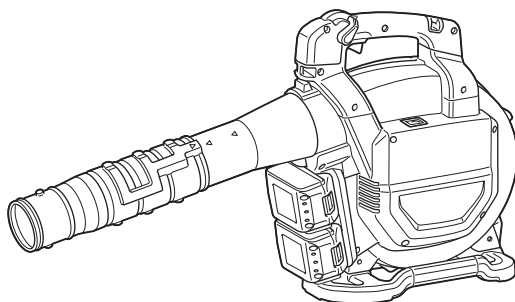


INSTRUCTION MANUAL



# Cordless Blower

## DUB363



Read before use.

# SPECIFICATIONS

Model:		DUB363
Capacities	Air volume	0 - 13.4 m <sup>3</sup> /min
	Air speed (average)	0 - 54 m/s
	Air speed (max.)	0 - 65 m/s
Dimensions (L x W x H) *1		341 mm x 193 mm x 415 mm
Rated voltage		D.C. 36 V
Net weight	Blower *2	3.8 - 5.2 kg
	Vacuum *3	6.0 - 6.6 kg

- \*1. Without pipes, nozzles, dust bag, shoulder strap, and battery cartridges.  
 \*2. With blower pipe, end nozzle and flat nozzle, and without suction pipe, suction nozzle, elbow pipe, dust bag and shoulder strap.  
 \*3. With suction pipe, suction nozzle, elbow pipe, dust bag and shoulder strap, and without blower pipe, end nozzle and flat nozzle.
- Due to our continuing program of research and development, the specifications herein are subject to change without notice.
  - Specifications may differ from country to country.
  - The weight may differ depending on the attachment(s), including the battery cartridge. The lightest and heaviest combination, according to EPTA-Procedure 01/2014, are shown in the table.

## Applicable battery cartridge

BL1815N / BL1820 / BL1820B / BL1830 / BL1830B / BL1840 / BL1840B / BL1850 / BL1850B / BL1860B

- Some of the battery cartridges listed above may not be available depending on your region of residence.

**⚠ WARNING: Only use the battery cartridges listed above.** Use of any other battery cartridges may cause injury and/or fire.

## Symbols

The followings show the symbols used for the equipment. Be sure that you understand their meaning before use.

	Take particular care and attention.
	Read instruction manual.
	Keep hands away from rotating parts.
	Long hair may cause entanglement accident.
	Keep bystanders away.
	Wear eye and ear protection.
	Do not expose to moisture.
 Ni-MH Li-Ion	Only for EU countries Do not dispose of electric equipment or battery pack together with household waste material! In observance of the European Directives, on Waste Electric and Electronic Equipment and Batteries and Accumulators and Waste Batteries and Accumulators and their implementation in accordance with national laws, electric equipment and batteries and battery pack(s) that have reached the end of their life must be collected separately and returned to an environmentally compatible recycling facility.

## Intended use

The machine is intended for blowing and vacuuming.

## Noise

The typical A-weighted noise level determined according to EN50636-2-100:

Sound pressure level ( $L_{pA}$ ) : 84.8 dB(A)

Uncertainty (K) : 1.3 dB(A)

Sound power level ( $L_{WA}$ ) : 94.9 dB (A)

Uncertainty (K) : 0.3 dB(A)

**NOTE:** The declared noise emission value(s) has been measured in accordance with a standard test method and may be used for comparing one tool with another.

**NOTE:** The declared noise emission value(s) may also be used in a preliminary assessment of exposure.

**⚠ WARNING: Wear ear protection.**

**⚠ WARNING: The noise emission during actual use of the power tool can differ from the declared value(s) depending on the ways in which the tool is used especially what kind of workpiece is processed.**

**⚠ WARNING: Be sure to identify safety measures to protect the operator that are based on an estimation of exposure in the actual conditions of use (taking account of all parts of the operating cycle such as the times when the tool is switched off and when it is running idle in addition to the trigger time).**

## Vibration

The vibration total value (tri-axial vector sum) determined according to EN50636-2-100:

Work mode: operation without load (blowing)

Vibration emission ( $a_{hv}$ ): 2.5 m/s<sup>2</sup> or less

Uncertainty (K): 1.5 m/s<sup>2</sup>

Work mode: operation without load (vacuuming)

Vibration emission ( $a_{hv}$ ): 2.5 m/s<sup>2</sup> or less

Uncertainty (K): 1.5 m/s<sup>2</sup>

**NOTE:** The declared vibration total value(s) has been measured in accordance with a standard test method and may be used for comparing one tool with another.

**NOTE:** The declared vibration total value(s) may also be used in a preliminary assessment of exposure.

**⚠ WARNING:** The vibration emission during actual use of the power tool can differ from the declared value(s) depending on the ways in which the tool is used especially what kind of workpiece is processed.

**⚠ WARNING:** Be sure to identify safety measures to protect the operator that are based on an estimation of exposure in the actual conditions of use (taking account of all parts of the operating cycle such as the times when the tool is switched off and when it is running idle in addition to the trigger time).

## EC Declaration of Conformity

### For European countries only

The EC declaration of conformity is included as Annex A to this instruction manual.

## SAFETY WARNINGS

### Cordless Blower Safety Instructions

**⚠ WARNING:** Read all safety warnings and all instructions. Failure to follow the warnings and instructions may result in electric shock, fire and/or serious injury.

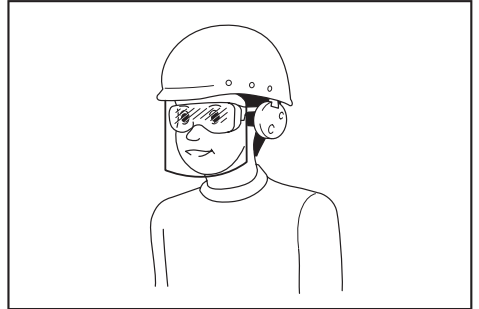
## Save all warnings and instructions for future reference.

### Training

1. Read the instructions carefully. Be familiar with the controls and the correct use of the machine.
2. Never allow children, persons with reduced physical, sensory or mental capabilities or lack of experience and knowledge or people unfamiliar with these instructions to use the machine. Local regulations may restrict the age of the operator.
3. Never operate the machine while people, especially children, or pets are nearby.
4. Keep in mind that the operator or user is responsible for accidents or hazards occurring to other people or their property.

### Preparation

1. Always wear substantial footwear and long trousers while operating the machine.
2. Do not wear loose clothing or jewellery that can be drawn into the air inlet. Keep long hair away from the air inlets.
3. Always wear protective goggles to protect your eyes from injury when using power tools. The goggles must comply with ANSI Z87.1 in the USA, EN 166 in Europe, or AS/NZS 1336 in Australia/New Zealand. In Australia/New Zealand, it is legally required to wear a face shield to protect your face, too.



It is an employer's responsibility to enforce the use of appropriate safety protective equipments by the tool operators and by other persons in the immediate working area.

4. To prevent dust irritation the wearing of a face mask is recommended.
5. While operating the machine, always wear non-slip and protective footwear. Non-skid, closed-toed safety boots and shoes will reduce the risk of injury.
6. Use personal protective equipment. Always wear eye protection. Protective equipment such as a dust mask, non-skid safety shoes, hard hat or hearing protection used for appropriate conditions will reduce personal injuries.

### Operation

1. Switch off the machine and remove the battery cartridge and make sure that all moving parts have come to a complete stop
  - whenever you leave the machine.
  - before clearing blockages.
  - before checking, cleaning or working on the machine.
  - if the machine starts to vibrate abnormally.
  - whenever you convert the machine from blower to vacuum, and vice versa.
2. Operate the machine only in daylight or in good artificial light.
3. Do not overreach and keep proper balance and footing at all times.
4. Always be sure of your footing on slopes.
5. Walk, never run.
6. Keep all cooling air inlets clear of debris.
7. Never blow debris in the direction of bystanders.

8. Operate the machine in a recommended position and on a firm surface.
9. Do not operate the machine at high places.
10. Never point the nozzle at anyone in the vicinity when using the machine.
11. Never block suction inlet and/or blower outlet.
  - Be careful not to block suction inlet or blower outlet with dust or dirt when operating in dusty area.
  - Do not use nozzles other than the nozzles provided by Makita.
  - Do not use the blower to inflate balls, rubber boat or the similar.
12. Do not operate the machine near open window, etc.
13. Operating the machine only at reasonable hours is recommended - not early in the morning or late at night when people might be disturbed.
14. Using rakes and brooms to loosen debris before blowing is recommended.
15. If the machine strikes any foreign objects or should start making any unusual noise or vibration, immediately switch off the machine to stop it. Remove the battery cartridge from the machine and inspect the machine for damage before restarting and operating the machine. If the machine is damaged, ask Makita Authorized Service Centers for repair.
16. Do not insert fingers or other objects into suction inlet or blower outlet.
17. Prevent unintentional starting. Ensure the switch is in the off-position before inserting battery cartridge, picking up or carrying the machine. Carrying the machine with your finger on the switch or energizing the machine that has the switch on invites accidents.
18. Never blow or vacuum dangerous materials, such as nails, fragments of glass, or blades.
19. Do not operate the machine near flammable materials.
20. Avoid operating the machine for a long time in low temperature environment.

#### Maintenance and storage

1. Keep all nuts, bolts and screws tight to be sure the machine is in safe working condition.
2. If the parts are worn or damaged, replace them with parts provided by Makita.
3. Store the machine in a dry place out of the reach of children.
4. When you stop the machine for inspection, servicing, storage, or changing accessory, switch off the machine and make sure that all moving parts come to a complete stop, and remove the battery cartridge. Cool down the machine before making any work on the machine. Maintain the machine with care and keep it clean.
5. Always cool down the machine before storing.
6. Do not expose the machine to rain. Store the machine indoors.
7. When you lift the machine, be sure to bend your knees and be careful not to hurt your back.

#### Battery tool use and care

1. **Recharge only with the charger specified by the manufacturer.** A charger that is suitable for one type of battery pack may create a risk of fire when used with another battery pack.
2. **Use power tools only with specifically designated battery packs.** Use of any other battery packs may create a risk of injury and fire.
3. **When battery pack is not in use, keep it away from other metal objects, like paper clips, coins, keys, nails, screws or other small metal objects, that can make a connection from one terminal to another.** Shorting the battery terminals together may cause burns or a fire.
4. **Under abusive conditions, liquid may be ejected from the battery; avoid contact. If contact accidentally occurs, flush with water. If liquid contacts eyes, additionally seek medical help.** Liquid ejected from the battery may cause irritation or burns.
5. **Do not use a battery pack or tool that is damaged or modified.** Damaged or modified batteries may exhibit unpredictable behaviour resulting in fire, explosion or risk of injury.
6. **Do not expose a battery pack or tool to fire or excessive temperature.** Exposure to fire or temperature above 130 °C may cause explosion.
7. **Follow all charging instructions and do not charge the battery pack or tool outside the temperature range specified in the instructions.** Charging improperly or at temperatures outside the specified range may damage the battery and increase the risk of fire.

#### Electrical and battery safety

1. **Do not dispose of the battery(ies) in a fire.** The cell may explode. Check with local codes for possible special disposal instructions.
2. **Do not open or mutilate the battery(ies).** Released electrolyte is corrosive and may cause damage to the eyes or skin. It may be toxic if swallowed.
3. **Do not charge battery in rain, or in wet locations.**
4. **Do not charge the battery outdoors.**
5. **Do not handle charger, including charger plug, and charger terminals with wet hands.**

#### Service

1. **Have your power tool serviced by a qualified repair person using only identical replacement parts.** This will ensure that the safety of the power tool is maintained.
2. **Never service damaged battery packs.** Service of battery packs should only be performed by the manufacturer or authorized service providers.

## SAVE THESE INSTRUCTIONS.

**⚠WARNING:** DO NOT let comfort or familiarity with product (gained from repeated use) replace strict adherence to safety rules for the subject product.

**MISUSE** or failure to follow the safety rules stated in this instruction manual may cause serious personal injury.

## Important safety instructions for battery cartridge

1. Before using battery cartridge, read all instructions and cautionary markings on (1) battery charger, (2) battery, and (3) product using battery.
2. Do not disassemble battery cartridge.
3. If operating time has become excessively shorter, stop operating immediately. It may result in a risk of overheating, possible burns and even an explosion.
4. If electrolyte gets into your eyes, rinse them out with clear water and seek medical attention right away. It may result in loss of your eyesight.
5. Do not short the battery cartridge:
  - (1) Do not touch the terminals with any conductive material.
  - (2) Avoid storing battery cartridge in a container with other metal objects such as nails, coins, etc.
  - (3) Do not expose battery cartridge to water or rain.

A battery short can cause a large current flow, overheating, possible burns and even a breakdown.

6. Do not store the tool and battery cartridge in locations where the temperature may reach or exceed 50 °C (122 °F).
7. Do not incinerate the battery cartridge even if it is severely damaged or is completely worn out. The battery cartridge can explode in a fire.
8. Be careful not to drop or strike battery.
9. Do not use a damaged battery.
10. The contained lithium-ion batteries are subject to the Dangerous Goods Legislation requirements. For commercial transports e.g. by third parties, forwarding agents, special requirement on packaging and labeling must be observed. For preparation of the item being shipped, consulting an expert for hazardous material is required. Please also observe possibly more detailed national regulations. Tape or mask off open contacts and pack up the battery in such a manner that it cannot move around in the packaging.
11. When disposing the battery cartridge, remove it from the tool and dispose of it in a safe place. Follow your local regulations relating to disposal of battery.
12. Use the batteries only with the products specified by Makita. Installing the batteries to non-compliant products may result in a fire, excessive heat, explosion, or leak of electrolyte.
13. If the tool is not used for a long period of time, the battery must be removed from the tool.

## SAVE THESE INSTRUCTIONS.

**CAUTION:** Only use genuine Makita batteries. Use of non-genuine Makita batteries, or batteries that have been altered, may result in the battery bursting causing fires, personal injury and damage. It will also void the Makita warranty for the Makita tool and charger.

## Tips for maintaining maximum battery life

1. Charge the battery cartridge before completely discharged. Always stop tool operation and charge the battery cartridge when you notice less tool power.
2. Never recharge a fully charged battery cartridge. Overcharging shortens the battery service life.
3. Charge the battery cartridge with room temperature at 10 °C - 40 °C (50 °F - 104 °F). Let a hot battery cartridge cool down before charging it.
4. Charge the battery cartridge if you do not use it for a long period (more than six months).

## ASSEMBLY

**CAUTION:** Always be sure that the machine is switched off and the battery cartridge is removed before carrying out any work on the machine.

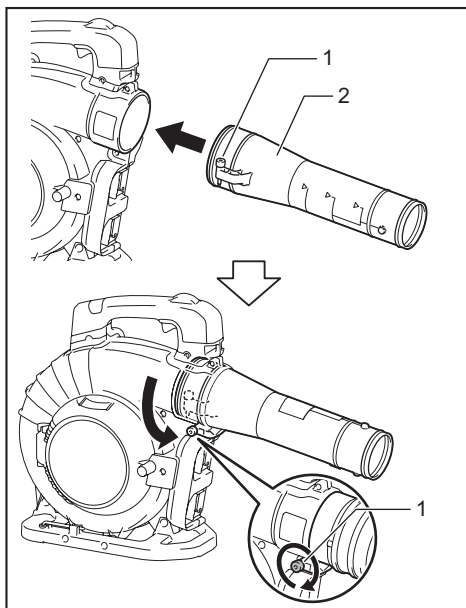
**NOTICE:** Before operating the machine, be sure to completely assemble the machine. Otherwise, the machine does not work.

## Assembly for blowing

### Installing or removing blower pipe and nozzle

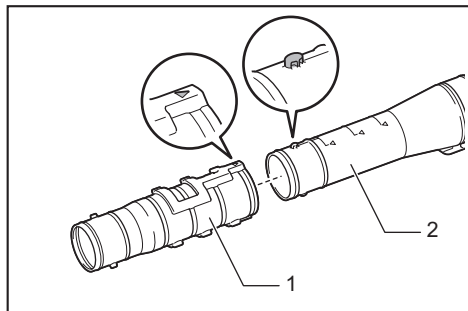
1. Attach the blower pipe to the main unit.

Insert the blower pipe into the main unit with the bolt facing left as shown in the figure. Turn the blower pipe as shown in the figure so that the bolt is aligned with the hole on the main unit, and then tighten the bolt firmly using the hex wrench.



► 1. Bolt 2. Blower pipe

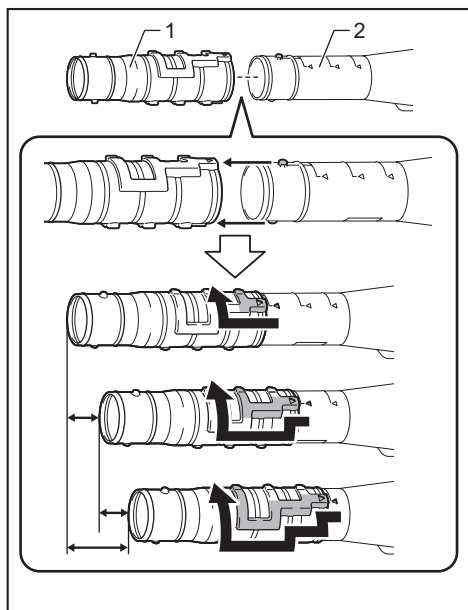
2. Align the protrusion on the blower pipe with the groove on the end nozzle, then attach the end nozzle to the blower pipe, and then turn the end nozzle to lock it into place.



► 1. End nozzle 2. Blower pipe

To remove the blower pipe and end nozzle, perform the installation procedure in reverse.

**NOTE:** The length of the nozzle can be changed by moving the nozzle as shown in the figure.

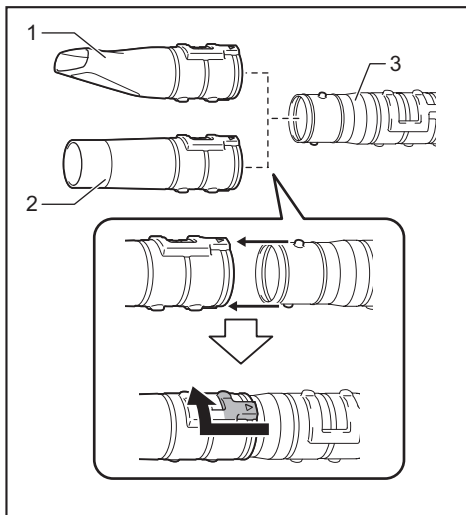


► 1. End nozzle 2. Blower pipe

## Installing or removing flat nozzle or extension nozzle

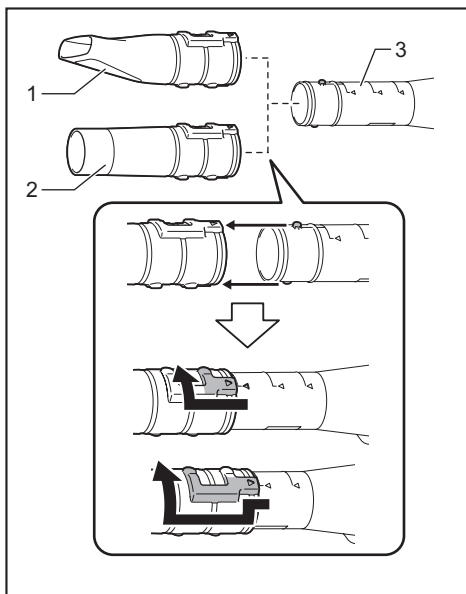
### Optional accessory

Attach the flat nozzle or extension nozzle to the end nozzle, and then turn it to lock it into place.



► 1. Flat nozzle 2. Extension nozzle 3. End nozzle

You can also attach the flat nozzle or extension nozzle to the blower pipe.



► 1. Flat nozzle 2. Extension nozzle 3. Blower pipe

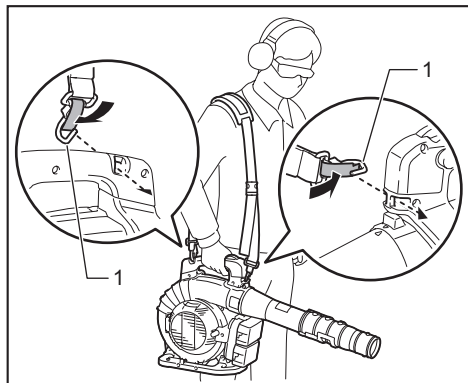
To remove the flat nozzle or extension nozzle, perform the installation procedure in reverse.

## Attaching shoulder strap

**CAUTION:** Be sure to attach the hooks of the shoulder strap to the machine securely. If the hooks are attached incompletely, they may come off and cause an injury.

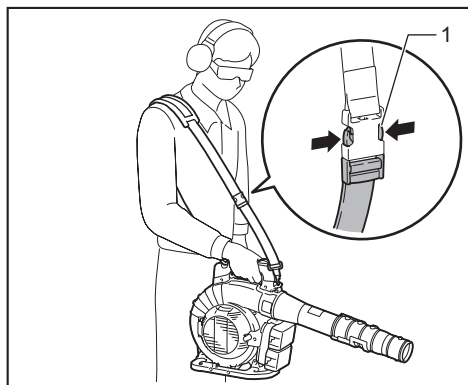
**CAUTION:** Be sure to use the shoulder strap dedicated to this machine. Using other shoulder strap may cause an injury.

Attach the hooks of the shoulder strap to the machine as shown in the figure.



► 1. Hook

The shoulder strap features a means of quick release. Simply squeeze the sides of the buckle to release the machine from the shoulder strap.



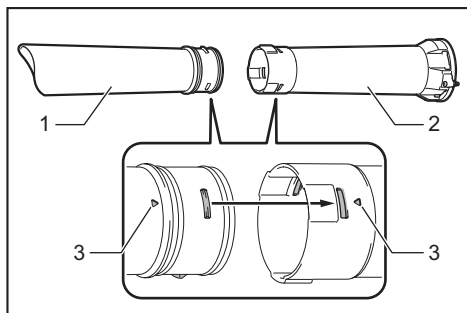
► 1. Buckle

## Assembly for vacuuming

### Installing or removing suction pipe and nozzle

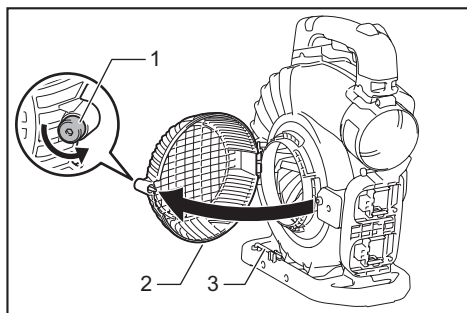
#### Optional accessory

1. Align the triangle mark on the suction nozzle with that on the suction pipe, and then insert the suction nozzle into the suction pipe until the latch on the nozzle snaps into place.




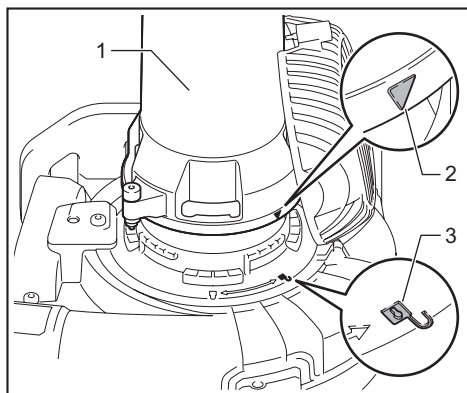
► 1. Suction nozzle 2. Suction pipe 3. Triangle mark

2. Loosen the bolt on the fan cover using the hex wrench, and open the fan cover.



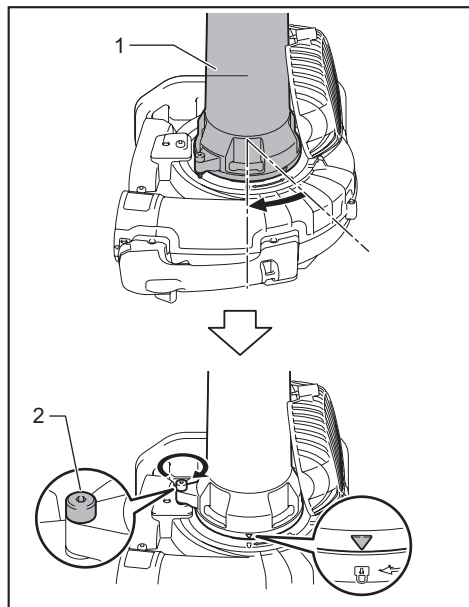
► 1. Bolt 2. Fan cover 3. Hex wrench

3. Align the triangle mark on the suction pipe with the  mark on the main unit, and then attach the suction pipe to the main unit.



► 1. Suction pipe 2. Triangle mark 3.  mark

- Turn the suction pipe clockwise so that the bolt on the pipe is aligned with the hole on the main unit, and then fasten the bolt firmly using the hex wrench to secure the pipe to the main unit.



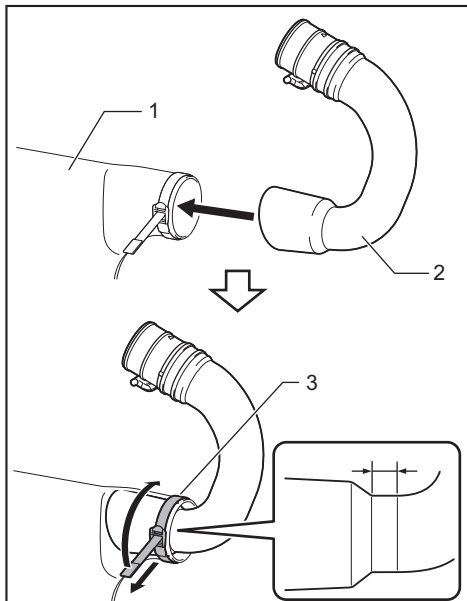
► 1. Suction pipe 2. Bolt

To remove the suction pipe and nozzle, perform the installation procedure in reverse.

## Installing or removing elbow pipe and dust bag

### Optional accessory

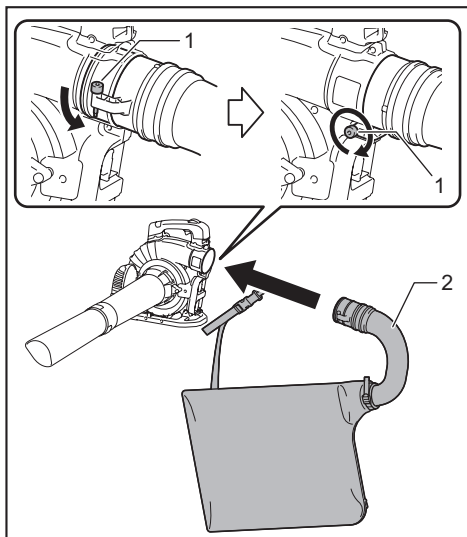
- Insert the elbow pipe into the dust bag and tighten the belt to fix the elbow pipe as shown in the figure.



► 1. Dust bag 2. Elbow pipe 3. Belt

- Attach the elbow pipe to the main unit.

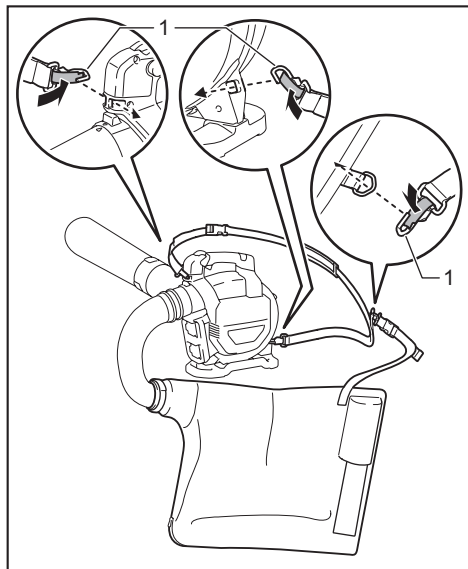
Insert the elbow pipe into the main unit with the bolt facing left as shown in the figure. Turn the elbow pipe as shown in the figure so that the bolt is aligned with the hole on the main unit, and then tighten the bolt firmly using the hex wrench.



► 1. Bolt 2. Elbow pipe



3. Attach the hook of the dust bag to the shoulder strap, and then attach the hooks of the shoulder strap to the main unit as shown in the figure.



► 1. Hook

To remove the dust bag and elbow pipe, perform the installation procedure in reverse.

## FUNCTIONAL DESCRIPTION

**CAUTION:** Always be sure that the machine is switched off and the battery cartridge is removed before adjusting or checking function on the machine.

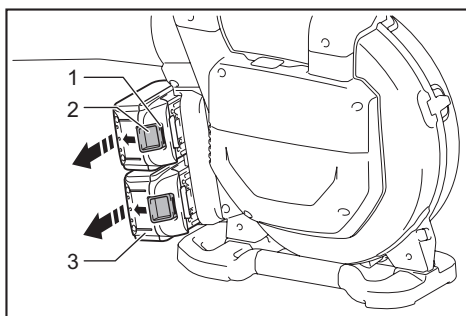
### Installing or removing battery cartridge

**CAUTION:** Always switch off the machine before installing or removing of the battery cartridge.

**CAUTION:** Hold the machine and the battery cartridge firmly when installing or removing battery cartridge. Failure to hold the machine and the battery cartridge firmly may cause them to slip off your hands and result in damage to the machine and battery cartridge and a personal injury.

**CAUTION:** Always install the battery cartridge fully until the red indicator cannot be seen. If not, it may accidentally fall out of the machine, causing injury to you or someone around you.

**CAUTION:** Do not install the battery cartridge forcibly. If the cartridge does not slide in easily, it is not being inserted correctly.



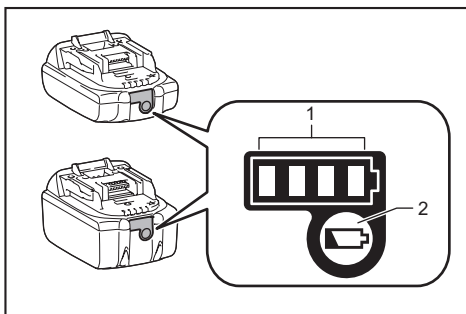
► 1. Red indicator 2. Button 3. Battery cartridge

To remove the battery cartridge, slide it from the machine while sliding the button on the front of the cartridge.

To install the battery cartridge, align the tongue on the battery cartridge with the groove in the housing and slip it into place. Insert it all the way until it locks in place with a little click. If you can see the red indicator on the upper side of the button, it is not locked completely.

### Indicating the remaining battery capacity

*Only for battery cartridges with the indicator*



► 1. Indicator lamps 2. Check button

Press the check button on the battery cartridge to indicate the remaining battery capacity. The indicator lamps light up for a few seconds.

Indicator lamps			Remaining capacity
Lighted	Off	Blinking	
■ ■ ■ ■			75% to 100%
■ ■ ■ □			50% to 75%
■ ■ □ □			25% to 50%
■ □ □ □			0% to 25%
▬ □ □ □			Charge the battery.
■ ■ □ □			The battery may have malfunctioned.
□ □ ■ ■			

**NOTE:** Depending on the conditions of use and the ambient temperature, the indication may differ slightly from the actual capacity.

## Machine/battery protection system

The machine is equipped with a machine/battery protection system. This system automatically cuts off power to the motor to extend machine and battery life. The machine will automatically stop during operation if the machine or battery is placed under one of the following conditions:

### Overload protection

When the machine or battery is operated in a manner that causes it to draw an abnormally high current, the machine automatically stops and the lamp for mode 1 blinks in green. In this situation, turn the machine off and stop the application that caused the machine to become overloaded. Then turn the machine on to restart.

### Overheat protection

When the machine or battery is overheated, the machine stops automatically and the lamp for mode 1 lights up in red. In this case, let the machine and battery cool down before turning the machine on again.

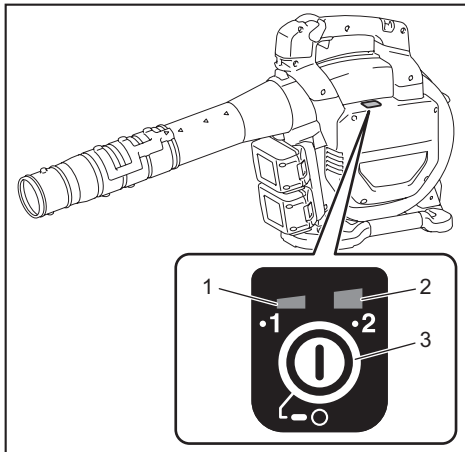
### Overdischarge protection

When the battery capacity is not enough, the machine stops automatically and the lamp for mode 1 blinks in red. In this case, remove the battery from the machine and charge the battery.

## Main power switch

**⚠ WARNING:** Always turn off the main power switch when not in use.

To turn on the machine, press the main power switch. The lamps for mode 1 and mode 2 light up in green. To turn off, keep pressing the main power switch until the lamps for mode 1 and mode 2 go off.



► (1) Lamp for mode 1 (2) Lamp for mode 2 (3) Main power switch

You can use the machine in the vacuuming mode. In the vacuuming mode, the suction volume becomes smaller than in the normal mode.

When you turn on the machine, the machine starts up in the normal mode. To use the machine in the vacuuming mode, press the main power switch when the machine is turned on. The lamp for mode 2 goes off and only the lamp for mode 1 lights up in green. When you press the main power switch again, the machine returns to the normal mode, and the lamps for mode 1 and mode 2 light up in green.

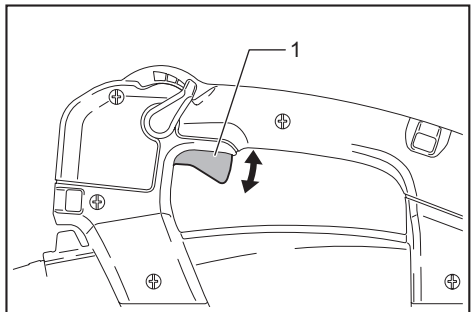
**NOTE:** The lamp for mode 1 blinks in green if the machine is operated under unoperable conditions. The lamp blinks in one of the following conditions.

- The switch trigger is pulled, when the bolt on the fan cover or suction pipe is not tightened firmly, or the bolt on the blower pipe or elbow pipe is not tightened firmly.
- The machine is turned on, when the control lever is not fully returned to the off position, or while you are pulling the switch trigger.

**NOTE:** This machine employs the auto power-off function. To avoid unintentional start up, the main power switch will automatically shut down when the switch trigger is not pulled for a certain period after the main power switch is turned on.

## Switch action

**⚠ WARNING:** Before installing the battery cartridge into the machine, always check to see that the switch trigger actuates properly and returns to the "OFF" position when released.

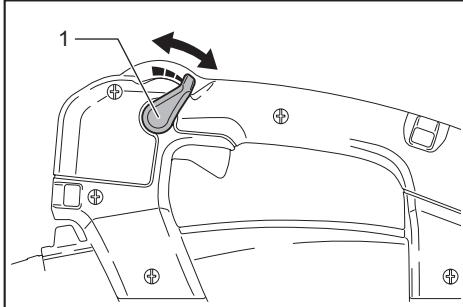


► 1. Switch trigger

To start the machine, simply pull the switch trigger. The speed is increased by increasing pressure on the switch trigger. Release the switch trigger to stop.

## Cruise control function

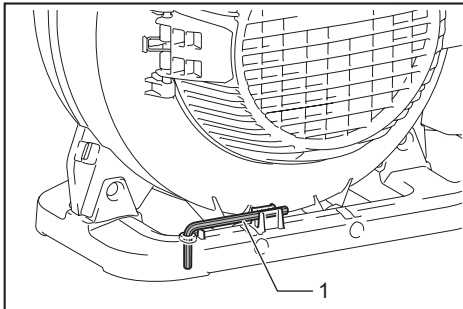
The cruise control function allows the operator to maintain a constant speed without pulling the trigger. To increase the speed, turn the control lever forward. To decrease the speed, turn the control lever backward.



► 1. Control lever

## Hex wrench storage

When not in use, store the hex wrench as illustrated to keep it from being lost.



► 1. Hex wrench

## Accidental re-start preventive function

If you turn on the machine while pulling the switch trigger or while the control lever is not in the off position, the machine does not start. To start the machine, first release the switch trigger and return the control lever fully, and then turn on the machine.

## Electronic function

The machine is equipped with the electronic function for easy operation.

- Constant speed control  
The speed control function provides the constant rotation speed regardless of load conditions.

## OPERATION

**CAUTION:** Do not place the machine on the ground while it is switched on. Sand or dust may enter from suction inlet and cause a malfunction or personal injury.

## Blower operation

**CAUTION:** When performing the blower operation, be sure to remove the suction pipe, suction nozzle, elbow pipe and dust bag from the machine, and attach the blower pipe and nozzles to the machine.

Hold the machine firmly with a hand and perform the blowing operation by moving it around slowly. When blowing around building, big stone or vehicle, direct the nozzle away from them. When performing an operation in a corner, start from the corner and then move to wide area.



## Vacuuming operation

**CAUTION:** When performing the vacuuming operation, be sure to remove the blower pipe and nozzles from the machine, and attach the suction pipe, suction nozzle, elbow pipe, dust bag, and shoulder strap to the machine.

**CAUTION:** Check the dust bag frequently for wear or deterioration.

**CAUTION:** Be sure to fasten the fastener of the dust bag before operating the machine.

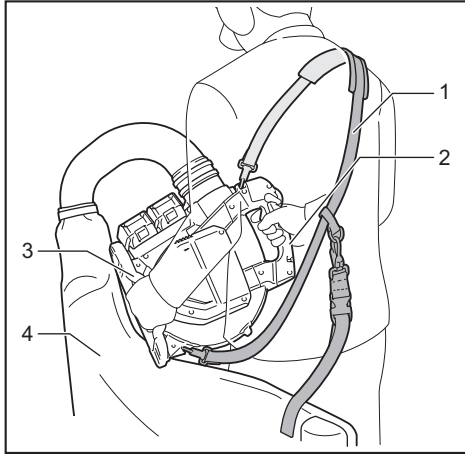
**CAUTION:** Always switch off the machine before opening or fastening the fastener of the dust bag.

**NOTICE:** Do not allow wet materials, such as wet leaves, and foreign materials, such as large wood chips, metals, glass, pebbles, etc., to be sucked into the machine. Otherwise, a malfunction may occur.

**NOTICE:** Empty the dust bag before it becomes full. Otherwise, a malfunction may occur.

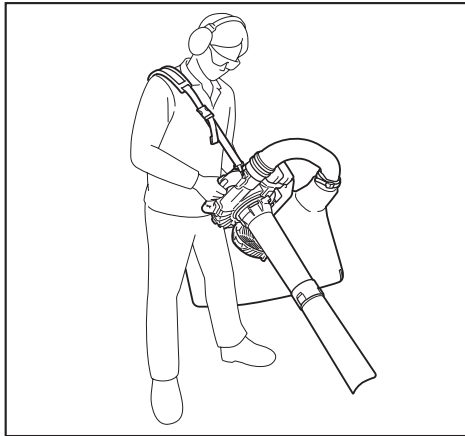
**NOTICE:** To prevent the suction of foreign materials, operating the machine in the vacuuming mode is recommended.

1. Put the shoulder strap and dust bag on the shoulder as shown in the figure. Adjust the length of the strap.



- 1. Shoulder strap 2. Carry handle 3. Assist handle  
4. Dust bag

2. Hold the carry handle with your right hand and the assist handle with the other hand.



3. While operating the machine, adjust the switch trigger so that the suction force is appropriate for the work location and conditions.

## MAINTENANCE

**CAUTION:** Always be sure that the machine is switched off and the battery cartridge is removed before attempting to perform inspection or maintenance.

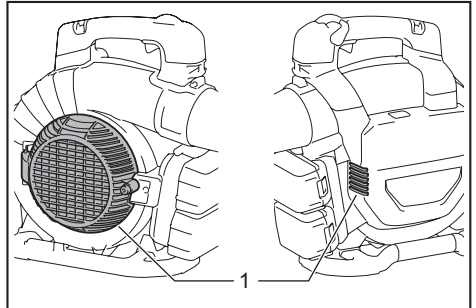
To maintain product SAFETY and RELIABILITY, repairs, any other maintenance or adjustment should be performed by Makita Authorized or Factory Service Centers, always using Makita replacement parts.

## Cleaning the machine

Clean the machine by wiping off dust with a dry cloth or one dipped in soapy water and wrung out.

**NOTICE:** Never use gasoline, benzine, thinner, alcohol or the like. Discoloration, deformation or cracks may result.

Remove dust or dirt from the suction inlets.



- 1. Suction inlet

# TROUBLESHOOTING

Before asking for repairs, conduct your own inspection first. If you find a problem that is not explained in the manual, do not attempt to dismantle the machine. Instead, ask Makita Authorized Service Centers, always using Makita replacement parts for repairs.

State of abnormality	Probable cause (malfunction)	Remedy
Motor does not run.	Battery cartridge is not installed.	Install the battery cartridge.
	Battery problem (under voltage)	Recharge the battery. If recharging is not effective, replace battery.
	<b>For blower</b> The blower pipe is not attached. The fan cover is not closed.	Attach the blower pipe, and then tighten the bolt. Close the fan cover, and then tighten the bolt.
	<b>For vacuum</b> The elbow pipe or suction pipe is not attached.	Attach the elbow pipe or suction pipe, and then tighten the bolt.
	The drive system does not work correctly.	Ask your local authorized service center for repair.
Motor stops running after a little use.	Battery's charge level is low.	Recharge the battery. If recharging is not effective, replace battery.
	Overheating.	Stop using the machine to allow it to cool down.
The machine does not reach the maximum speed.	Battery is installed improperly.	Install the battery cartridge as described in this manual.
	Battery power is dropping.	Recharge the battery. If recharging is not effective, replace battery.
	The drive system does not work correctly.	Ask your local authorized service center for repair.
Abnormal vibration: ⇒ stop the machine immediately!	The drive system does not work correctly.	Ask your local authorized service center for repair.
Motor cannot stop: ⇒ Remove the battery immediately!	Electric or electronic malfunction.	Remove the battery and ask your local authorized service center for repair.

## OPTIONAL ACCESSORIES

**⚠ CAUTION:** These accessories or attachments are recommended for use with your Makita product specified in this manual. The use of any other accessories or attachments might present a risk of injury to persons. Only use accessory or attachment for its stated purpose.

If you need any assistance for more details regarding these accessories, ask your local Makita Service Center.

- Vacuum kit
- Extension nozzle
- Flat nozzle
- Shoulder strap
- Makita genuine battery and charger

**NOTE:** Some items in the list may be included in the product package as standard accessories. They may differ from country to country.





**Makita Europe N.V.** Jan-Baptist Vinkstraat 2,  
3070 Kortenberg, Belgium

**Makita Corporation** 3-11-8, Sumiyoshi-cho,  
Anjo, Aichi 446-8502 Japan

[www.makita.com](http://www.makita.com)

885762-225 EN 20190927
------------------------------