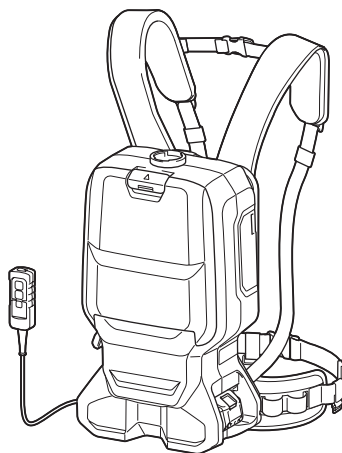


INSTRUCTION MANUAL



# Cordless Backpack Vacuum Cleaner

## DVC660



  Read before use.

# SPECIFICATIONS

<b>Model:</b>		<b>DVC660</b>
Capacity	Filter bag	6.0 L
	Dust bag	5.5 L
Maximum air volume	With hose ø28 mm x 1.0 m	2.0 m <sup>3</sup> /min
	With hose ø32 mm x 1.0 m	2.2 m <sup>3</sup> /min
Vacuum		110 hPa
Dimensions (L x W x H) (excluding the harness)		297 mm x 174 mm x 523 mm
Rated voltage		D.C. 36 V
Net weight		6.1 - 6.7 kg

- Due to our continuing program of research and development, the specifications herein are subject to change without notice.
- Specifications may differ from country to country.
- The weight does not include accessories but battery cartridge(s). The lightest and heaviest combination weight of the appliance and battery cartridge(s) are shown in the table.
- The length of supplied hose varies depending on the countries.

## Applicable battery cartridge and charger

Battery cartridge	BL1815N / BL1820 / BL1820B / BL1830 / BL1830B / BL1840 / BL1840B / BL1850 / BL1850B / BL1860B
Charger	DC18RC / DC18RD / DC18RE / DC18SE / DC18SF / DC18SH

- Some of the battery cartridges and chargers listed above may not be available depending on your region of residence.

**⚠ WARNING: Only use the battery cartridges and chargers listed above.** Use of any other battery cartridges and chargers may cause injury and/or fire.

## Symbols

The followings show the symbols used for the equipment. Be sure that you understand their meaning before use.



Read instruction manual.



Only for EU countries  
Do not dispose of electric equipment or battery pack together with household waste material! In observance of the European Directives, on Waste Electric and Electronic Equipment and Batteries and Accumulators and Waste Batteries and Accumulators and their implementation in accordance with national laws, electric equipment and batteries and battery pack(s) that have reached the end of their life must be collected separately and returned to an environmentally compatible recycling facility.

## Intended use

The appliance is intended for collecting dry dust. The appliance is suitable for commercial use, for example in hotels, schools, hospitals, factories, shops, offices and rental businesses.

## Noise

The typical A-weighted noise level determined according to EN60335-2-69, EN60704-2-1:  
Sound pressure level ( $L_{pA}$ ) : 70 dB(A) or less  
Uncertainty (K) : 2.5 dB(A)

The noise level under working may exceed 80 dB (A).

**NOTE:** The declared noise emission value(s) has been measured in accordance with a standard test method and may be used for comparing one tool with another.

**NOTE:** The declared noise emission value(s) may also be used in a preliminary assessment of exposure.

**⚠ WARNING: Wear ear protection.**

**⚠ WARNING: The noise emission during actual use of the power tool can differ from the declared value(s) depending on the ways in which the tool is used especially what kind of workpiece is processed.**

**⚠ WARNING: Be sure to identify safety measures to protect the operator that are based on an estimation of exposure in the actual conditions of use (taking account of all parts of the operating cycle such as the times when the tool is switched off and when it is running idle in addition to the trigger time).**

## Vibration

The vibration total value (tri-axial vector sum) determined according to EN60335-2-69:  
Work mode: operation without load  
Vibration emission ( $a_{rh}$ ) : 2.5 m/s<sup>2</sup> or less  
Uncertainty (K) : 1.5 m/s<sup>2</sup>

**NOTE:** The declared vibration total value(s) has been measured in accordance with a standard test method and may be used for comparing one tool with another.

**NOTE:** The declared vibration total value(s) may also be used in a preliminary assessment of exposure.

**⚠WARNING:** The vibration emission during actual use of the power tool can differ from the declared value(s) depending on the ways in which the tool is used especially what kind of workpiece is processed.

**⚠WARNING:** Be sure to identify safety measures to protect the operator that are based on an estimation of exposure in the actual conditions of use (taking account of all parts of the operating cycle such as the times when the tool is switched off and when it is running idle in addition to the trigger time).

## EC Declaration of Conformity

### For European countries only

The EC declaration of conformity is included as Annex A to this instruction manual.

## SAFETY WARNINGS

### Cordless vacuum cleaner safety warnings

**⚠WARNING: IMPORTANT! READ CAREFULLY all safety warnings and all instructions BEFORE USE.** Failure to follow the warnings and instructions may result in electric shock, fire and/or serious injury.

1. Before use, make sure that this cleaner must be used by people who have been adequately instructed on the use of this cleaner.
2. Do not use the cleaner without the filter. Replace a damaged filter immediately.
3. Do not attempt to pick up flammable materials, fire works, lighted cigarettes, hot ashes, hot metal chips, sharp materials such as razors, needles, broken glass or the like.
4. NEVER USE THE CLEANER IN THE VICINITY OF GASOLINE, GAS, PAINT, ADHESIVES OR OTHER HIGHLY EXPLOSIVE SUBSTANCES. The switch emits sparks when turned ON and OFF. And so does the motor commutator during operation. A dangerous explosion may result.
5. Never vacuum up toxic, carcinogenic, combustible or other hazardous materials such as asbestos, arsenic, barium, beryllium, lead, pesticides, or other health endangering materials.
6. Never use the cleaner outdoors in the rain.
7. Do not use close to heat sources (stoves, etc.).
8. Do not block cooling vents. These vents permit cooling of the motor. Blockage should be carefully avoided otherwise the motor will burn out from lack of ventilation.
9. Keep proper footing and balance at all times.
10. Do not fold, tug or step on the hose.
11. Stop the cleaner immediately if you notice poor performance or anything abnormal during operation.
12. DISCONNECT THE BATTERIES. When not in use, before servicing, and when changing accessories.
13. Clean and service the cleaner immediately after each use to keep it in tiptop operating condition.
14. MAINTAIN THE CLEANER WITH CARE. Keep the cleaner clean for better and safer performance. Follow instructions for changing accessories. Keep handles dry, clean, and free from oil and grease.
15. CHECK DAMAGED PARTS. Before further use of the cleaner, a guard or other part that is damaged should be carefully checked to determine that it will operate properly and perform its intended function. Check for alignment of moving parts, binding of moving parts, breakage of parts, mounting, and any other conditions that may affect its operation. A guard or other part that is damaged should be properly repaired or replaced by an authorized service center unless otherwise indicated elsewhere in this instruction manual. Have defective switches replaced by authorized service center. Don't use the cleaner if switch does not turn it on and off.
16. REPLACEMENT PARTS. When servicing, use only identical replacement parts.
17. STORE IDLE CLEANER. When not in use, store the cleaner indoors.
18. Be kind to your cleaner. Rough handling can cause breakage of even the most sturdily built cleaner.
19. Do not attempt to clean the exterior or interior with benzine, thinner or cleaning chemicals. Cracks and discoloration may be caused.
20. Do not use cleaner in an enclosed space where flammable, explosive or toxic vapors are given off by oil-base paint, paint-thinner, gasoline, some mothproofing substances, etc., or in areas where flammable dust is present.
21. Do not operate the cleaner while under the influence of drugs or alcohol.
22. As a basic rule of safety, use safety goggles or safety glasses with side shields.
23. Use a dust mask in dusty work conditions.
24. This machine is not intended for use by persons including children with reduced physical, sensory or mental capabilities, or lack of experience and knowledge.
25. Children should be supervised to ensure that they do not play with the cleaner.
26. Never handle batteries and cleaner with wet hands.

27. Use extreme caution when cleaning on stairs.
28. Do not use the cleaner as a stool or work bench. The machine may fall down and may result in personal injury.

#### Battery tool use and care

1. **Recharge only with the charger specified by the manufacturer.** A charger that is suitable for one type of battery pack may create a risk of fire when used with another battery pack.
2. **Use power tools only with specifically designated battery packs.** Use of any other battery packs may create a risk of injury and fire.
3. **When battery pack is not in use, keep it away from other metal objects, like paper clips, coins, keys, nails, screws or other small metal objects, that can make a connection from one terminal to another.** Shorting the battery terminals together may cause burns or a fire.
4. **Under abusive conditions, liquid may be ejected from the battery; avoid contact. If contact accidentally occurs, flush with water. If liquid contacts eyes, additionally seek medical help.** Liquid ejected from the battery may cause irritation or burns.
5. **Do not use a battery pack or tool that is damaged or modified.** Damaged or modified batteries may exhibit unpredictable behaviour resulting in fire, explosion or risk of injury.
6. **Do not expose a battery pack or tool to fire or excessive temperature.** Exposure to fire or temperature above 130 °C may cause explosion.
7. **Follow all charging instructions and do not charge the battery pack or tool outside the temperature range specified in the instructions.** Charging improperly or at temperatures outside the specified range may damage the battery and increase the risk of fire.

#### Service

1. **Have your power tool serviced by a qualified repair person using only identical replacement parts.** This will ensure that the safety of the power tool is maintained.
2. **Follow instruction for lubricating and changing accessories.**
3. **Keep handles dry, clean and free from oil and grease.**

### Important safety instructions for battery cartridge

1. **Before using battery cartridge, read all instructions and cautionary markings on (1) battery charger, (2) battery, and (3) product using battery.**
2. **Do not disassemble battery cartridge.**
3. **If operating time has become excessively shorter, stop operating immediately.** It may result in a risk of overheating, possible burns and even an explosion.
4. **If electrolyte gets into your eyes, rinse them out with clear water and seek medical attention right away.** It may result in loss of your eyesight.

5. **Do not short the battery cartridge:**
  - (1) **Do not touch the terminals with any conductive material.**
  - (2) **Avoid storing battery cartridge in a container with other metal objects such as nails, coins, etc.**
  - (3) **Do not expose battery cartridge to water or rain.**

**A battery short can cause a large current flow, overheating, possible burns and even a breakdown.**
6. **Do not store the tool and battery cartridge in locations where the temperature may reach or exceed 50 °C (122 °F).**
7. **Do not incinerate the battery cartridge even if it is severely damaged or is completely worn out. The battery cartridge can explode in a fire.**
8. **Be careful not to drop or strike battery.**
9. **Do not use a lithium-ion battery.**
10. **The contained lithium-ion batteries are subject to the Dangerous Goods Legislation requirements.** For commercial transports e.g. by third parties, forwarding agents, special requirement on packaging and labeling must be observed. For preparation of the item being shipped, consulting an expert for hazardous material is required. Please also observe possibly more detailed national regulations. Tape or mask off open contacts and pack up the battery in such a manner that it cannot move around in the packaging.
11. **When disposing the battery cartridge, remove it from the tool and dispose of it in a safe place. Follow your local regulations relating to disposal of battery.**
12. **Use the batteries only with the products specified by Makita.** Installing the batteries to non-compliant products may result in a fire, excessive heat, explosion, or leak of electrolyte.
13. **If the tool is not used for a long period of time, the battery must be removed from the tool.**

### SAVE THESE INSTRUCTIONS.

**⚠ CAUTION:** Only use genuine Makita batteries. Use of non-genuine Makita batteries, or batteries that have been altered, may result in the battery bursting causing fires, personal injury and damage. It will also void the Makita warranty for the Makita tool and charger.

### Tips for maintaining maximum battery life

1. **Charge the battery cartridge before completely discharged. Always stop tool operation and charge the battery cartridge when you notice less tool power.**
2. **Never recharge a fully charged battery cartridge. Overcharging shortens the battery service life.**
3. **Charge the battery cartridge with room temperature at 10 °C - 40 °C (50 °F - 104 °F). Let a hot battery cartridge cool down before charging it.**
4. **Charge the battery cartridge if you do not use it for a long period (more than six months).**

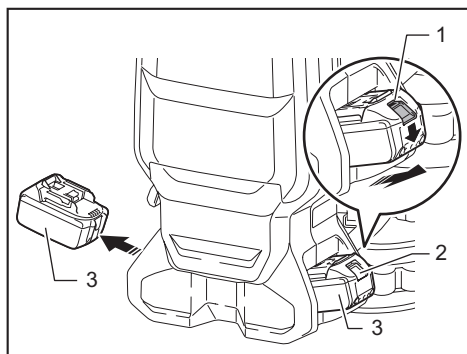
## FUNCTIONAL DESCRIPTION

**CAUTION:** Always be sure that the appliance is switched off and the battery cartridge is removed before adjusting or checking function on the appliance.

### Installing or removing battery cartridge

**CAUTION:** Always switch off the appliance before installing or removing of the battery cartridge.

**CAUTION:** Hold the appliance and the battery cartridge firmly when installing or removing battery cartridge. Failure to hold the appliance and the battery cartridge firmly may cause them to slip off your hands and result in damage to the appliance and battery cartridge and a personal injury.



► 1. Red indicator 2. Button 3. Battery cartridge

To remove the battery cartridge, slide it from the appliance while sliding the button on the front of the cartridge.

To install the battery cartridge, align the tongue on the battery cartridge with the groove in the housing and slip it into place. Insert it all the way until it locks in place with a little click. If you can see the red indicator on the upper side of the button, it is not locked completely.

**CAUTION:** Always install the battery cartridge fully until the red indicator cannot be seen. If not, it may accidentally fall out of the appliance, causing injury to you or someone around you.

**CAUTION:** Do not install the battery cartridge forcibly. If the cartridge does not slide in easily, it is not being inserted correctly.


## Appliance / battery protection system

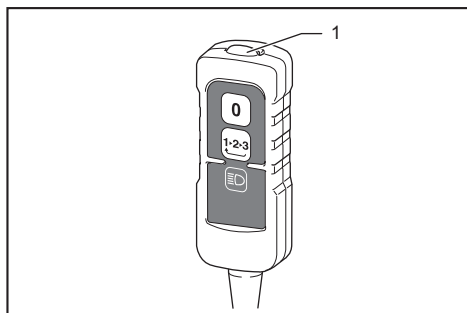
The appliance is equipped with a appliance / battery protection system. This system automatically cuts off power to the motor to extend appliance and battery life. The appliance will automatically stop during operation if the appliance or battery is placed under one of the following conditions:

### Overload protection

When the appliance is operated in a manner that causes it to draw an abnormally high current, the appliance automatically stops without any indication. In this situation, turn the appliance off and stop the application that caused the appliance to become overloaded. Then turn the appliance on to restart.

### Overheat protection

When the appliance is overheated, the appliance stops automatically, and the LED light blinks about 60 seconds. In this situation, let the appliance cool down before turning the appliance on again. While the LED light is blinking, you can turn off the LED light by pressing  button.



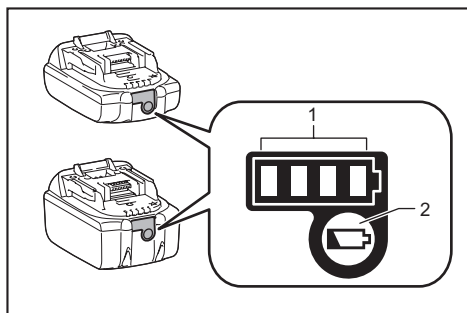
► 1. LED light

### Overdischarge protection

When the battery capacity becomes low, the appliance stops automatically. If the product does not operate even when the switches are operated, remove the batteries from the appliance and charge the batteries.

## Indicating the remaining battery capacity

*Only for battery cartridges with the indicator*



► 1. Indicator lamps 2. Check button

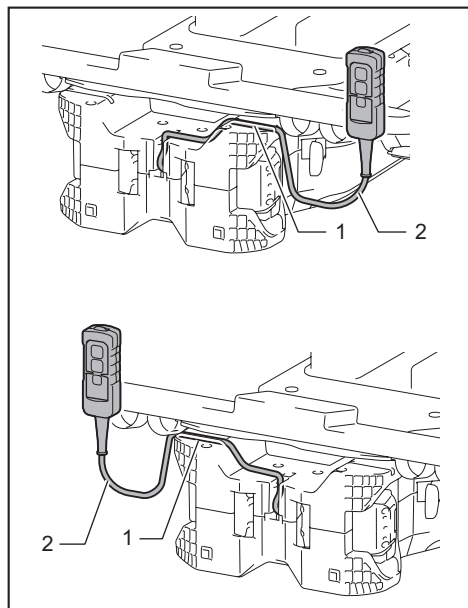
Press the check button on the battery cartridge to indicate the remaining battery capacity. The indicator lamps light up for a few seconds.

Indicator lamps			Remaining capacity
Lighted	Off	Blinking	
■	□	▬	75% to 100%
■	■	□	50% to 75%
■	□	□	25% to 50%
■	□	□	0% to 25%
▬	□	□	Charge the battery.
■	■	□	The battery may have malfunctioned.
□	□	■	

**NOTE:** Depending on the conditions of use and the ambient temperature, the indication may differ slightly from the actual capacity.

## Switch box position

The switch box can be hooked on either side of the lower belt. Arrange the cord so that the switch box comes to your desired side. To prevent the cord from being damaged, pass the cord through the groove as illustrated.

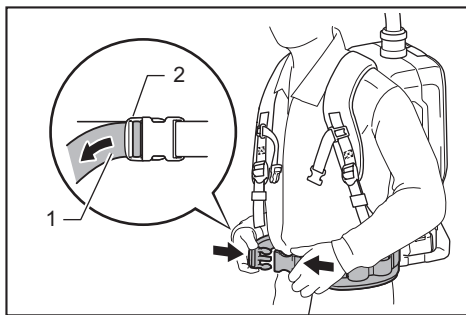


► 1. Groove 2. Cord

## Adjusting belts

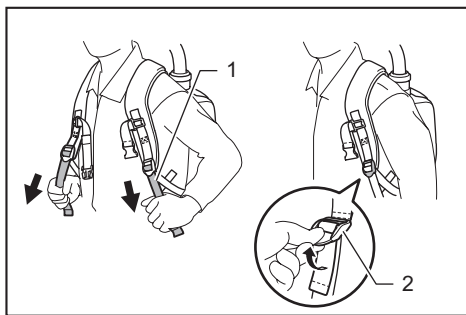
The tightness of the shoulder belts, upper and lower belts can be adjusted. Put your arms through the shoulder belts first then fasten the lower and upper belts. To tighten, pull the end of the strap as illustrated. To loosen, pull up the end of the fastener.

### Lower belt



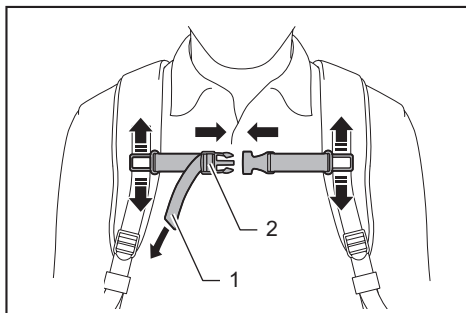
► 1. Strap 2. Fastener

### Shoulder belts



► 1. Strap 2. Fastener

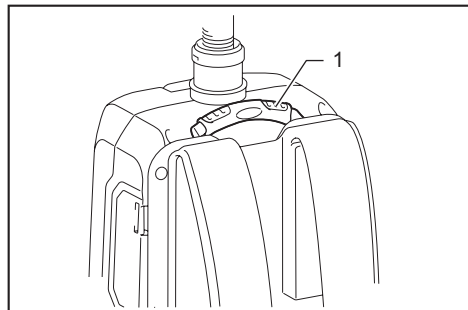
### Upper belt



► 1. Strap 2. Fastener

## Carrying hook


Always grab the carrying hook when handling the vacuum cleaner body.




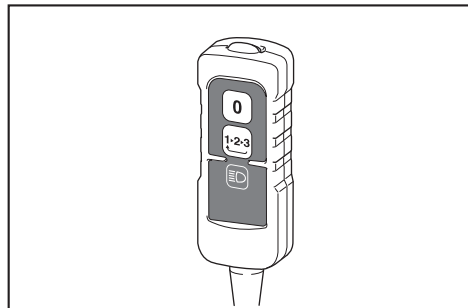
► 1. Carrying hook

## Switch action

You can change the suction power in three steps: normal (1), high (2), and max (3).



To start vacuuming, press  button once. When you change the suction power, press the button while the vacuum cleaner is running. The suction power switches in order normal (1), high (2), and max (3).

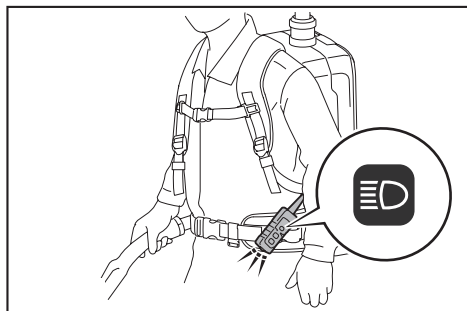
To turn off the vacuum cleaner, press  button.



**NOTE:** When you start the vacuum cleaner again, it will start in the same suction power as the previous setting.

## LED light

LED light is installed in the head of the switch box to ease the operations in dark places. Press  button to turn the light on. To turn off, press  button again.



**CAUTION:** Do not look in the light or see the source of light directly. Never aim the light to other people's eyes.

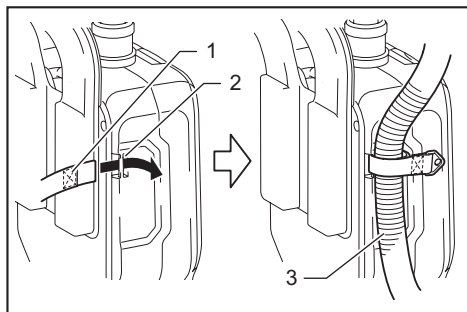
**NOTE:** The LED light is automatically turned off when the vacuum cleaner is not operated for more than 10 minutes.

**NOTE:** The vacuum cleaner will automatically switches off and the LED light flashes when the vacuum cleaner is overheated due to the reduced airflow into the machine caused by clogged hose, pipe, filter or other reasons. In this case, remove the cause of the problem and cool the vacuum cleaner before restarting.

## Hose band

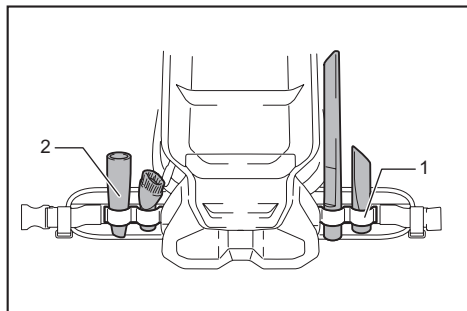
Hose band can be used for holding the hose or free nozzle.

To secure the hose to the vacuum cleaner body, pass the hose band through the slot on the body. You can attach the hose band on either side.



► 1. Hose band 2. Slot 3. Hose

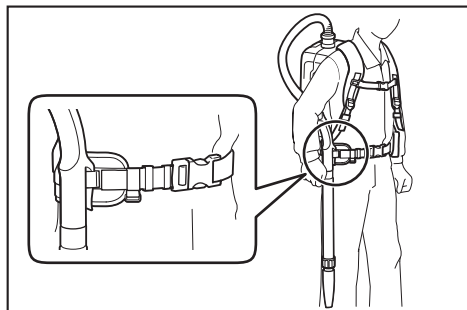
The loop on the lower belt can be used for carrying nozzles as illustrated.



► 1. Loop 2. Nozzles

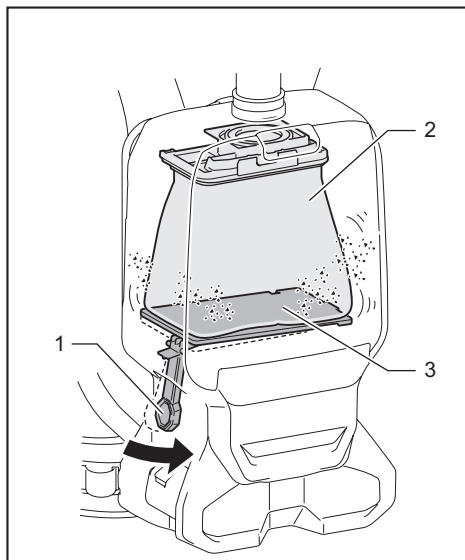
## Hose hook

When you suspend the operation, the hook on the bent pipe assembly can be used for hanging the wand on the lower belt.



## Dust beating system

Dust goes down when you pull the lever or walk with wearing the cleaner. This system helps the cleaner maintaining the suction power.



► 1. Lever 2. Filter bag/dust bag 3. Board

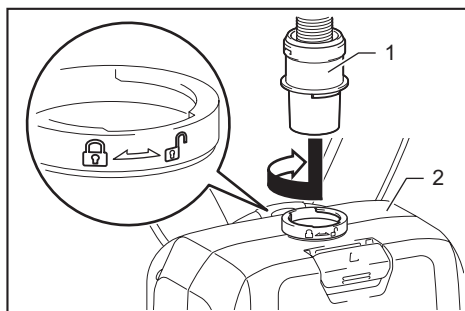
**NOTE:** This function works when the cleaner is switched off and the filter bag/dust bag contains a certain amount of dust to touch the board.

## ASSEMBLY

**CAUTION:** Always be sure that the appliance is switched off and the battery cartridge is removed before carrying out any work on the appliance.

## Assembling hose

Insert the hose cuff into the vacuum cleaner body and turn it clockwise.



► 1. Hose cuff 2. Vacuum cleaner body

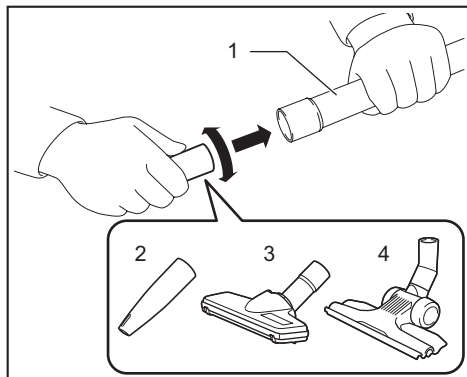


## Assembling nozzle and wand

### Optional accessory

**NOTE:** The type of the nozzle and wand included in the product varies depending on countries. In some countries, the nozzle and wand are not included.

1. Twist and insert the nozzle to the extension wand.



- 1. Extension wand 2. Free nozzle 3. T-shape nozzle  
4. T-shape nozzle (slim)

**NOTE:** By twisting the nozzle while inserting, the nozzle can be attached to the extension wand securely.

**NOTE:** For the model with  $\varnothing 38$  mm hose and front cuff 38, attach the supplied nozzle to the aluminum bending pipe / aluminum straight pipe.

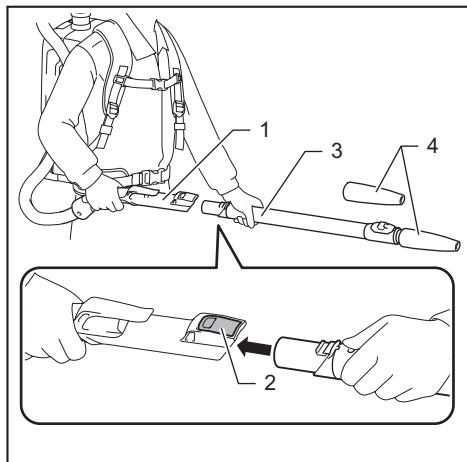
2. Follow the procedures below, depending on the type of the extension wand :

**NOTE:** The slide-type extension wand and the ring-type extension wand are not compatible with each other. If you want to change the slide-type extension wand to the ring-type extension wand or vice versa, change the bent pipe assembly also.

**NOTE:** The free nozzle can be attached to the bent pipe assembly directly.

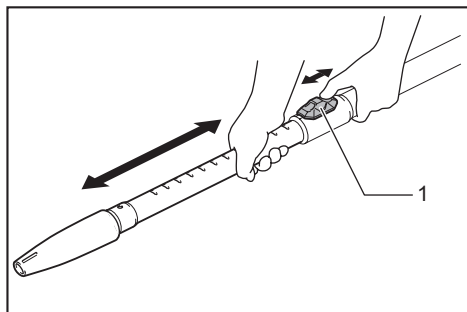
### For the slide-type extension wand

Shoulder the vacuum cleaner body then insert the extension wand into the bent pipe assembly until it clicks. To disconnect, extract the extension wand with pressing the button.



- 1. Bent pipe assembly 2. Button 3. Slide-type extension wand 4. Free nozzle

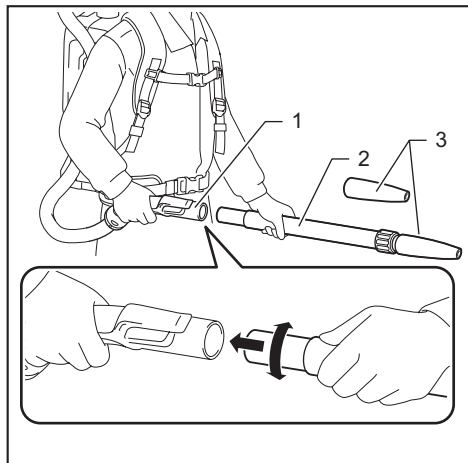
The length of the wand can be adjusted.  
With pressing the slide button, adjust the wand length.  
The length is locked when releasing the slide button.



- 1. Slide button

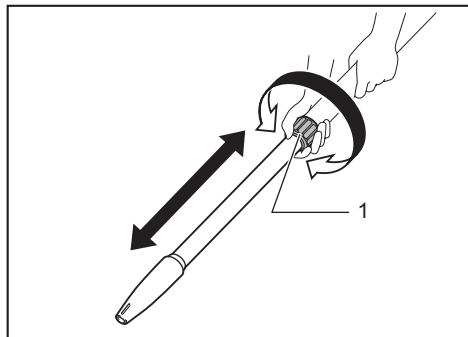
### For the ring-type extension wand

Shoulder the vacuum cleaner body then twist and insert the extension wand into the bent pipe assembly. To disconnect, twist and extract it.



- ▶ 1. Bent pipe assembly 2. Ring-type extension wand 3. Free nozzle

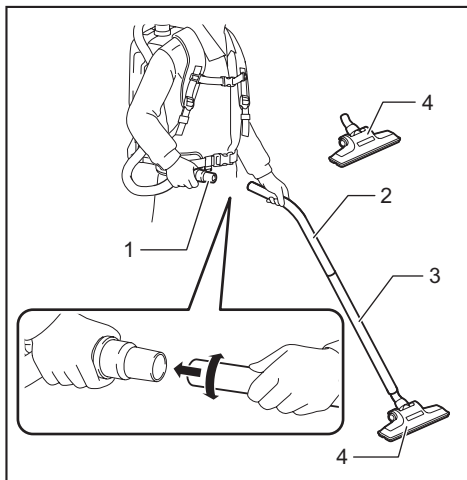
The length of the wand can be adjusted. Loosen the ring on the wand and adjust the wand length. Tighten the ring at your desired length.



- ▶ 1. Ring

### For the aluminum bending pipe / aluminum straight pipe

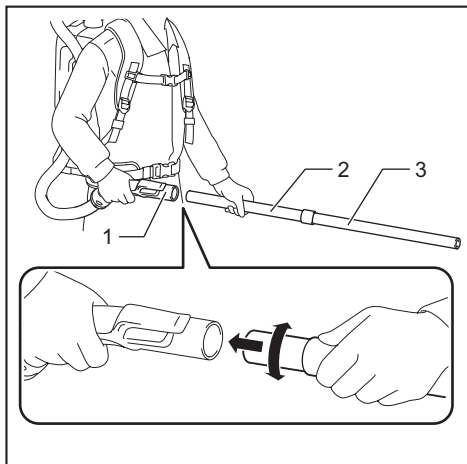
(Only for the model with  $\varnothing 38$  mm hose and front cuff 38) Shoulder the vacuum cleaner body then twist and insert the pipe into the front cuff. To disconnect, twist and extract it.



- ▶ 1. Front cuff 38 2. Aluminum bending pipe 3. Aluminum straight pipe 4. Nozzle

### For the two aluminum straight pipes

Shoulder the vacuum cleaner body then twist and insert the pipes. To disconnect, twist and extract it.

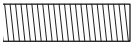
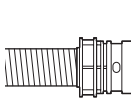
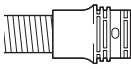
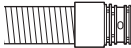



- ▶ 1. Bent pipe assembly 2. Aluminum straight pipe 1 3. Aluminum straight pipe 2

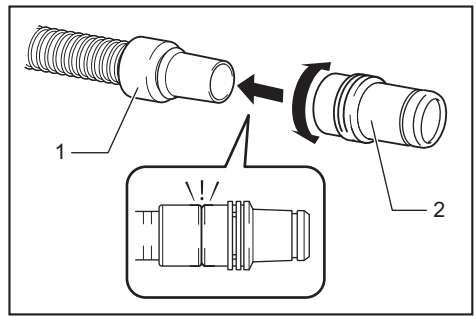
## Connecting the tool

**NOTE: If the bent pipe assembly is attached to the hose, remove it beforehand.**

To connect a tool to the cleaner, the dedicated hose and/or additional parts are required. Depending on your cleaner model, you need to replace the hose and/or prepare additional parts. Refer to the following table for details.

Supplied hose diameter	Hose end type	Action
ø28 mm	 without part	Attach the front cuff.
	 with snap-on part	Replace the hose end (snap-on part) with the front cuff. The hose end can be removed by turning it counterclockwise.
ø32 mm	 with snap-on part	Replace the hose with the one for dust extraction (ø28 mm, with front cuff).
ø38 mm	 with snap-on part	Replace the hose with the one for dust extraction (ø28 mm, with front cuff).
	 with front cuff 38	Attach the joint 22-38 or the front cuff 24.

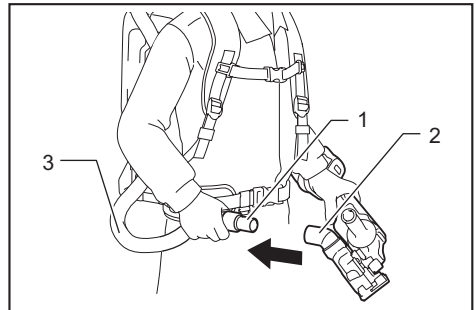
**NOTE: Always use a suitable front cuff. When using the front cuff 24, attach it to the front cuff 22 that is connected to the hose.**



► 1. Front cuff 22 2. Front cuff 24

### When using ø28 mm dust extraction hose

1. Attach the front cuff to the hose for dust extraction. When connecting the front cuff, make sure that it is securely screwed on the hose.
2. Connect the front cuff to the tool's extraction outlet.

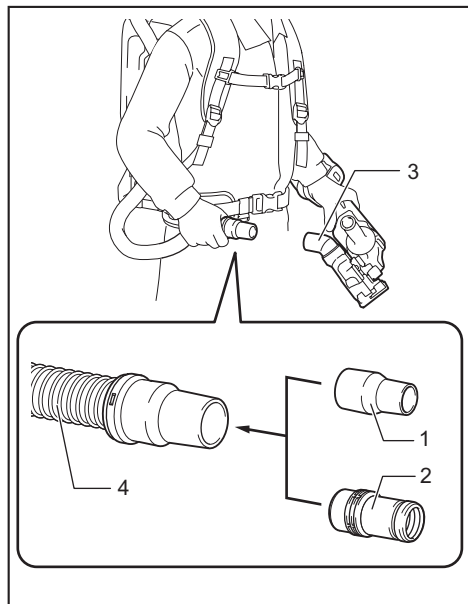


► 1. Front cuff 2. Extraction outlet 3. Hose

The front cuff can be detached by turning it counterclockwise while holding the hose.

## When using ø38 mm hose with front cuff 38

1. Twist and insert the joint or the front cuff to the inlet part on the hose, depending on the tool that you are going to connect.
2. Connect the front cuff to the tool's extraction outlet.



► 1. Joint 2. Front cuff 3. Extraction outlet 4. Hose

To remove the joint and the front cuff, follow the installation procedures in reverse.

## Attaching bent pipe assembly

### Optional accessory

**NOTE:** You don't need to perform this procedure if your model comes with the bent pipe assembly attached to the hose.

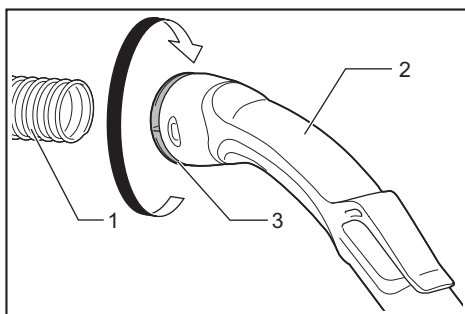
**NOTE:** There are two types of bent pipe assembly; the one for slide-type extension wand and the one for ring-type extension wand. If you prepare the bent pipe assembly, choose the one for your desired extension wand type.

The bent pipe assembly is used for connecting the extension wand or nozzle for vacuum cleaning to this product.

If you want to use this product as the vacuum cleaner, attach the bent pipe assembly to the hose.

To attach, unscrew the front cuff from the hose and fasten the sleeve of bent pipe assembly onto the hose.

To remove, loosen the sleeve of bent pipe assembly from the hose.



► 1. Hose 2. Bent pipe assembly 3. Sleeve

## Installing filter bag / dust bag

### Optional accessory

**CAUTION:** Do not use a damaged filter bag. Always use the vacuum cleaner with the filter bag properly installed. Otherwise the vacuumed dust or particles may be exhausted from the cleaner and they may cause respiratory disease to the operator.

Install either dust bag or filter bag before using cleaner.

- Dust bag are usable many times repeatedly by cleaning it out.
- Filter bag is a throw-away type. Throw away the entire filter bag without emptying when it has become full.

**NOTICE:** When the filter bag is already full, replace with new one. When the dust bag is already full, empty it. Continuous use with the filter bag/dust bag full results in reduced suction power.

**NOTICE:** To prevent dust from getting into the motor:

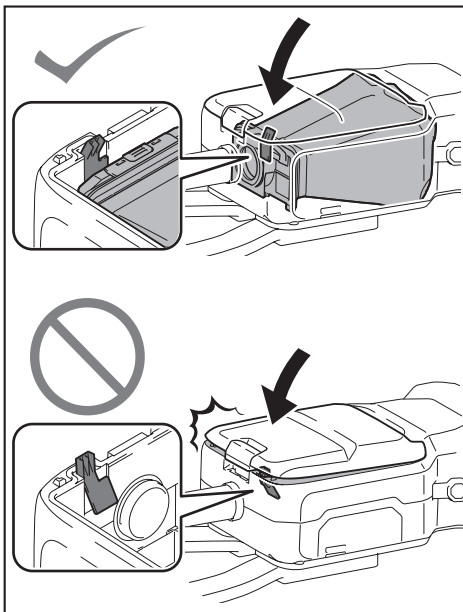
- Make sure that the filter bag/dust bag is installed before use.
- Do not use a broken or ripped bag.

Otherwise the motor may be broken.

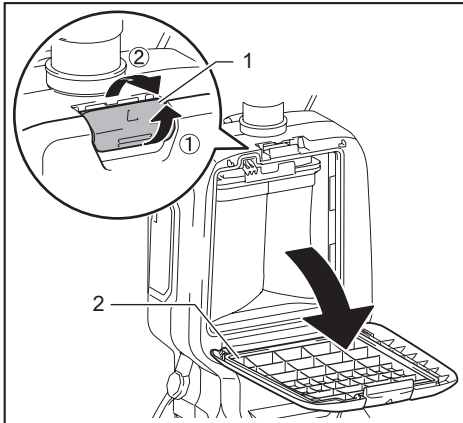
**NOTICE:** Do not fold the cardboard at its opening when installing the filter bag/dust bag.

**NOTICE:** The filter bag/dust bag for the cleaner is an important component for maintaining the appliance performance. Using non-genuine filter bag/dust bag may cause smoke or ignition.

**NOTE:** When the filter bag/dust bag is not installed in the cleaner, the front cover does not close completely.

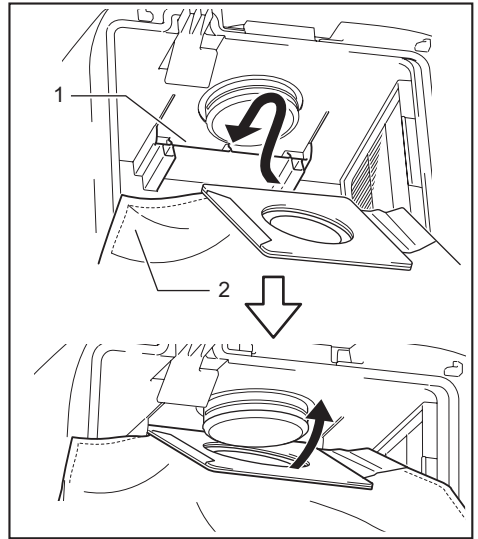


1. Unlock the latch by lifting the bottom side. Push the grooved area to lift the front latching side. Pull the latch to open the lid.



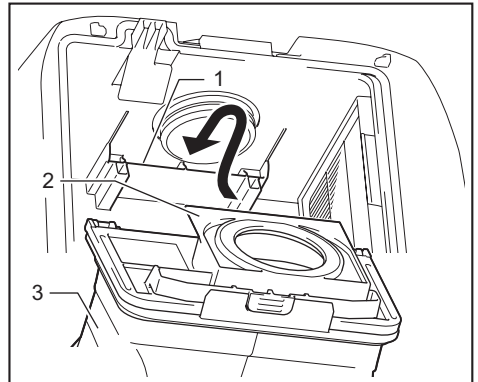
► 1. Hook 2. Lid

2. Insert the filter bag into the slit on the upper side of the room as illustrated.



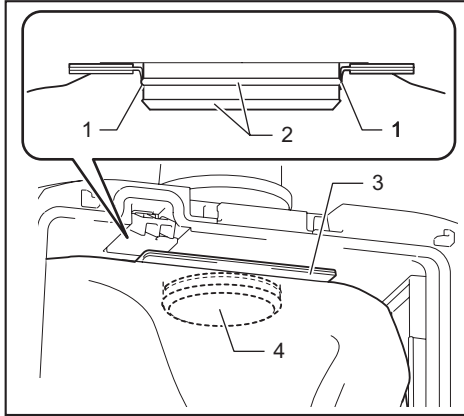
► 1. Slit 2. Filter bag

When using the dust bag, insert the brim of the dust bag into the slit.



► 1. Slit 2. Brim 3. Dust bag

3. Align the hole of the filter bag with the hose cuff and push the cardboard portion to the end. Make sure that the rubber ring on the filter bag goes over the rim on the hose cuff.



► 1. Rubber ring on the filter bag 2. Rim on the hose cuff 3. Cardboard portion of the filter bag 4. Hose cuff

## OPERATION

**⚠WARNING:** Operators shall be adequately instructed on the use of the vacuum cleaner.

**⚠WARNING:** This vacuum cleaner is not suitable for picking up hazardous dust.

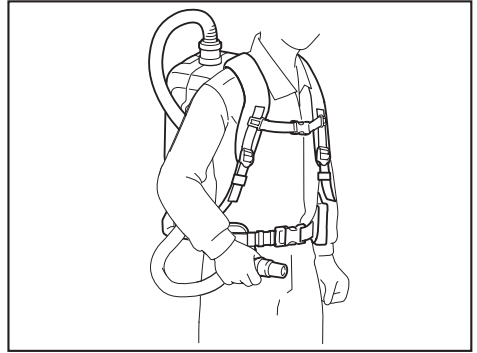
**⚠CAUTION:** This cleaner is for dry use only.

**⚠CAUTION:** This cleaner is for indoor use only.

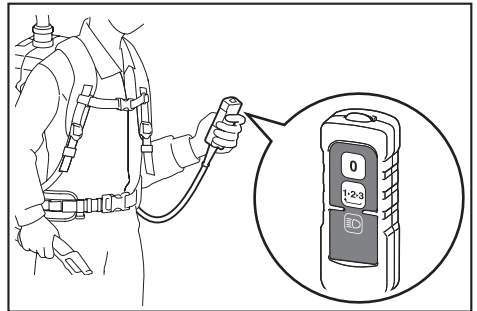
**⚠CAUTION:** Always insert the battery cartridge all the way until it locks in place. If you can see the red indicator on the upper side of the button, it is not locked completely. Insert it fully until the red indicator cannot be seen. If not, it may accidentally fall out of the appliance, causing injury to you or someone around you.

**⚠CAUTION:** During operation, be conscious of the vacuum cleaner on your back. You may lose your balance if the vacuum cleaner body bumps against a wall or the hose is hooked by an obstacles.

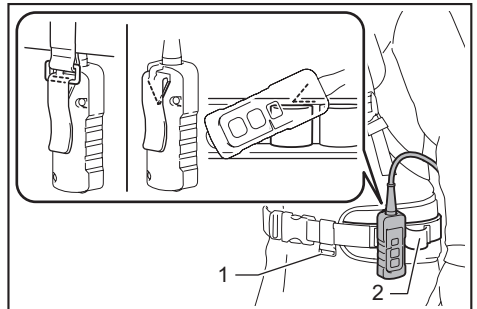
1. Shoulder the vacuum cleaner body and fasten upper and lower belts. Adjust the tightness as necessary.



2. Press **1-2-3** button to start vacuuming. If you want to change the suction power, press **1-2-3** button until the desired suction power is selected. Press **0** button to stop.

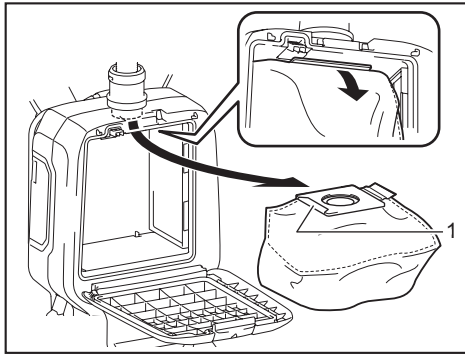


During the operation, hook the switch box on the ring or the lower belt. The hook can be slanted for lighting forward when hooked on the lower belt.



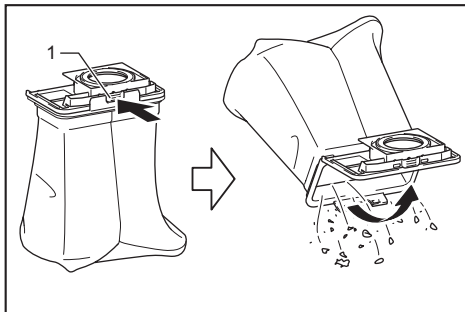
► 1. Ring 2. Lower belt

3. Replace the filter bag when it becomes full. Open the lid and take out the filter bag. Pull the strip on the side of the opening to shut the filter bag and dispose of the filter bag in whole.



► 1. Strip

When using a dust bag, take out the dust bag and dispose of the dust by releasing the latch.



► 1. Latch

**NOTICE:** Do not put filter bag/dust bag or other heavy objects on the lid. The appliance may fall down.

**NOTICE:** Periodically check the filter bag if it is full. Continuous use with the filter bag full results in reduced suction power.

**NOTICE:** Do not use an used filter bag. The filter bag is designed for single use. Using filter bag repeatedly may cause clogging of the filter and results in damage to the cleaner. If you want to use the bag repeatedly, use a dust bag.

## MAINTENANCE

**CAUTION:** Always be sure that the appliance is switched off and the battery cartridge is removed before attempting to perform inspection or maintenance.

**NOTICE:** Never use gasoline, benzene, thinner, alcohol or the like. Discoloration, deformation or cracks may result.

To maintain product SAFETY and RELIABILITY, repairs, any other maintenance or adjustment should be performed by Makita Authorized or Factory Service Centers, always using Makita replacement parts.

## Cleaning the HEPA filter

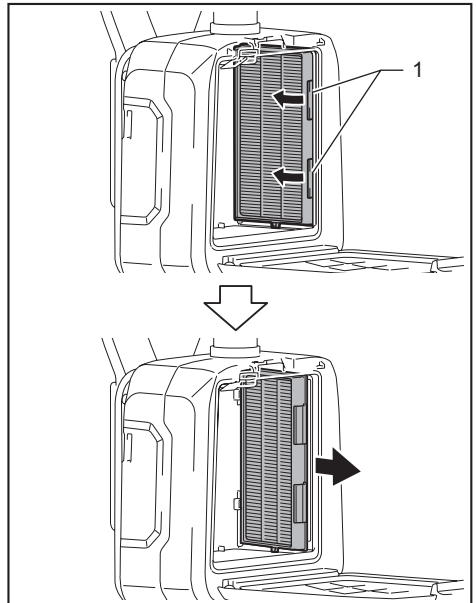
**CAUTION:** Do not use the vacuum cleaner without a filter or continue to use dirty or damaged filter. Vacuumed dust or particles may be exhausted from the cleaner and they may cause respiratory disease to the operator.

**NOTICE:** To keep optimum suction power and clean exhaust, clean the filter periodically. If enough suction power is not obtained even after the cleaning, replace the filter with new one.

**NOTICE:** To prevent the filter from being damaged, do not use following tools and similar items for cleaning :

- Air duster
- High pressure washer
- Tools made of hard materials such as a metallic brush

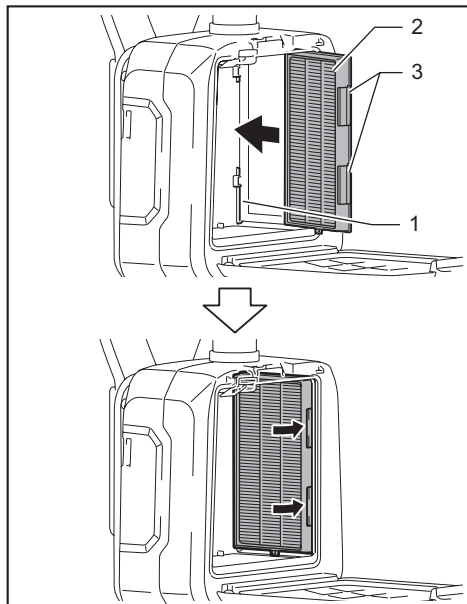
1. Open the lid and take out the filter bag/dust bag. Release the hook on the filter and remove it from the vacuum cleaner body.



► 1. Hook

2. Beat the dust off from the filter. The filter can be washed with water. Rinse away the dust and particles on the filter every 1 or 2 month. After that, dry the filter completely in a shaded and well-ventilated place to prevent unpleasant odor or malfunctions.

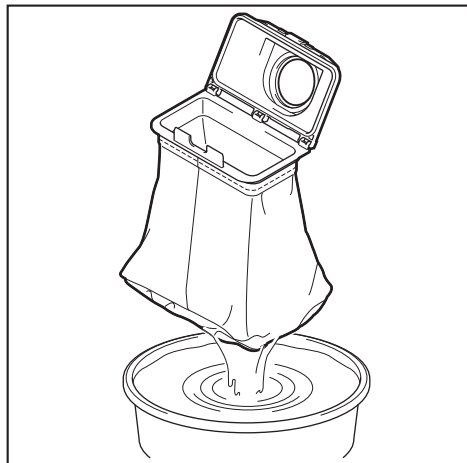
3. To install the filter, insert the side without the hooks into the groove then push in the filter until the hooks are secured with a click.



- 1. Groove 2. HEPA filter 3. Hook

## Cleaning the dust bag

Regularly clean the dust bag with soap and water. Turn the dust bag inside out and remove the sticky dust. Wash lightly by hand and rinse well with water. Dry completely before installing to the vacuum cleaner.



**NOTICE:** Wet dust bag lowers the vacuuming performance as well as the life of the motor.

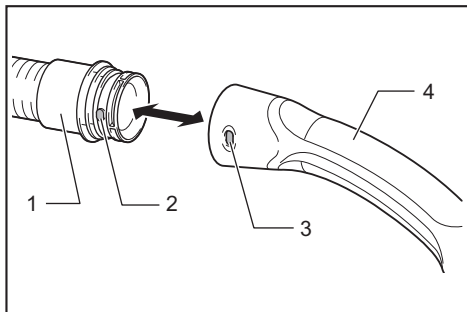
## Cleaning the clog

When cleaning the clog, remove the hose or the extension wand, or the bent pipe assembly to check inside.

### Removing/attaching the snap-on type bent pipe assembly

To remove, pull the bent pipe assembly while pressing both of the tab on the hose end.

To attach, insert the hose end into the bent pipe assembly. Make sure that the tabs on the hose end snap into the holes on the bent pipe assembly.

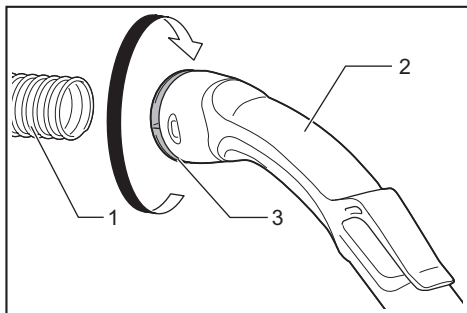


- 1. Hose end 2. Tab 3. Hole 4. Bent pipe assembly

### Removing/attaching the screw-in type bent pipe assembly

To remove, loosen the sleeve of bent pipe assembly from the hose.

To attach, fasten the sleeve of bent pipe assembly onto the hose.

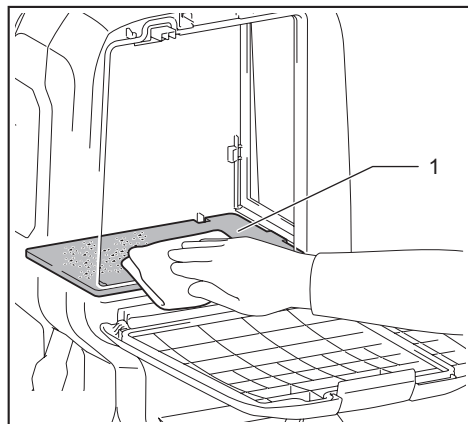


- 1. Hose 2. Bent pipe assembly 3. Sleeve



## Cleaning the room for filter bag/ dust bag

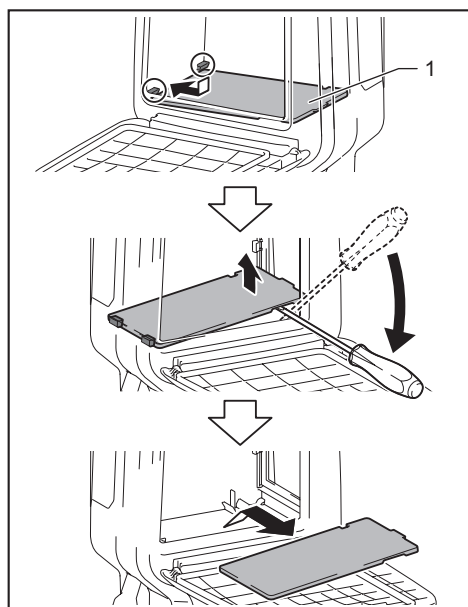
When cleaning the room for filter bag/dust bag, remove and wipe the board inside.



► 1. Board

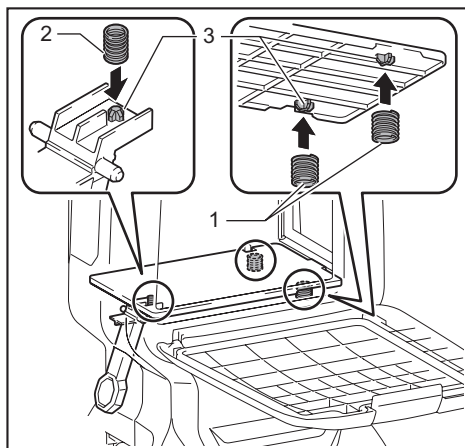
## Removing the board

1. Remove the HEPA filter. Refer to the section for cleaning the HEPA filter for how to remove.
2. Push down the board, and slide it to left until the board touches the wall.
3. Lift the right side of the board up and take it out.



► 1. Board

The board is supported by three springs.  
If the springs came off from the board or the lever,  
reattach them as illustrated.

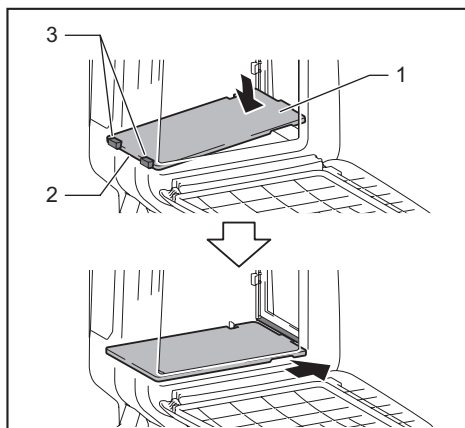


► 1. Spring for board 2. Spring for lever 3. Projection

**NOTE:** Attach the springs securely so that the springs touch the root of the projections.

## Attaching the board

1. Insert the straight side of the board into the catches in the lower left side of the room.
2. Put the right side of the board in place.



► 1. Board 2. Straight side 3. Catch

# OPTIONAL ACCESSORIES

**⚠ CAUTION:** These accessories or attachments are recommended for use with your Makita product specified in this manual. The use of any other accessories or attachments might present a risk of injury to persons. Only use accessory or attachment for its stated purpose.

If you need any assistance for more details regarding these accessories, ask your local Makita Service Center.

- Hose (for vacuum cleaner type)
- Hose (for dust extraction type)
- Extension wand
- Free nozzle
- T-shape nozzle
- Seat nozzle
- Corner nozzle
- Shelf brush
- Round brush
- Bent pipe assembly
- Filter bag
- Dust bag
- Front cuff
- HEPA filter
- Pipe
- Makita genuine battery and charger

**NOTE:** Some items in the list may be included in the tool package as standard accessories. They may differ from country to country.



**Makita Europe N.V.** Jan-Baptist Vinkstraat 2,  
3070 Kortenberg, Belgium

**Makita Corporation** 3-11-8, Sumiyoshi-cho,  
Anjo, Aichi 446-8502 Japan

[www.makita.com](http://www.makita.com)

885745-225 EN 20190802
------------------------------